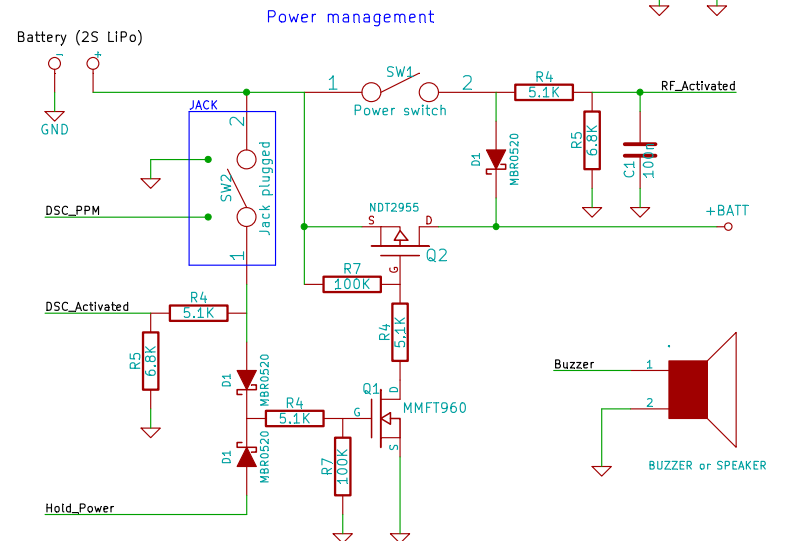
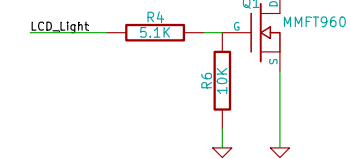
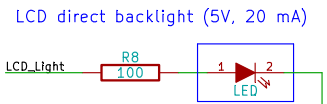
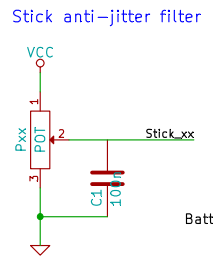
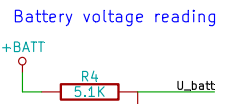
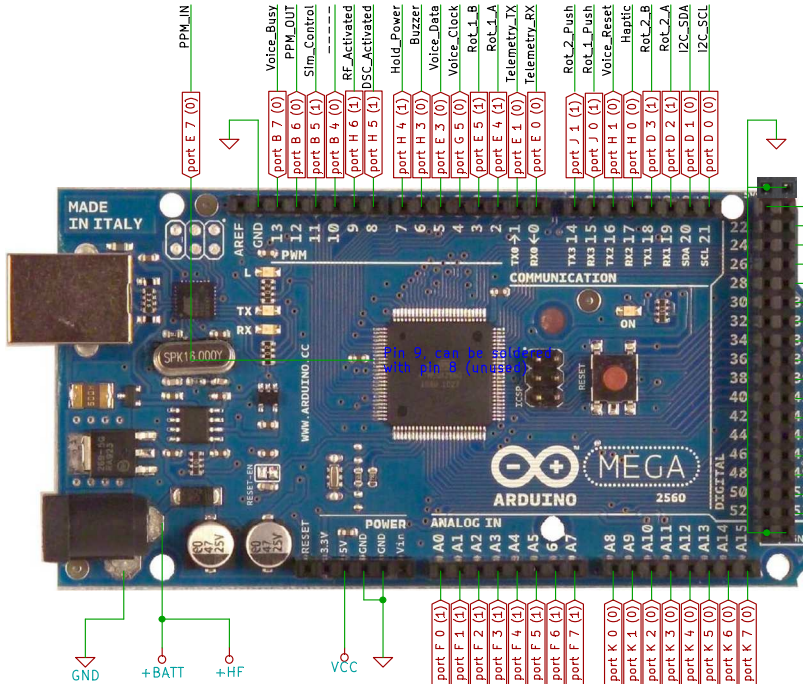


Pinout caption :
 M2560 output (port pin (init. state))
 M2560 Input (port pin (init. state))

Voice module supported :
 WTV20, pins = data, busy, clock, reset
 JQ6500, pins = data (serial), busy



LCD supported : ST7565P, ST7565R, ERC12864FSF, ST7920, KS108
 Protocol = 6800, 8 bits parallel mode

LCD pinout labels (may differ, default = ST7565P) :
 RD = (Read) or (ST7920 : Enable)
 WR = (Write) or (ST7920 : Write(0)/Read(1)) or (KS108 : CS2)
 AO = (R/S register select) or (D/I data/instruction select)
 RST = (RES reset)
 CS = (Chip Select) or (ST7920 : not used) or (KS108 : CS1)

NOTA : all features are optional.
 M2560 can properly work without PPM / power management,
 switch debouncing, stick voltage protection or rotary encoder.
 Minimum requirement is just LCD and navigation keys. Some
 switches could be useful, especially for flight conditions, but
 not fundamental.

Unused analog pin
 M2560 input

Copyright F. Aguerre
 File: MEGA2560.sch
 Sheet: /
Title: OpenTX board based on Arduino MEGA2560
 Size: A4 Date: 6 jan 2017
 KiCad E.D.A. eeschema (2013-07-07 BZR 4022)-stable
 Rev: 0
 Id: 1/1