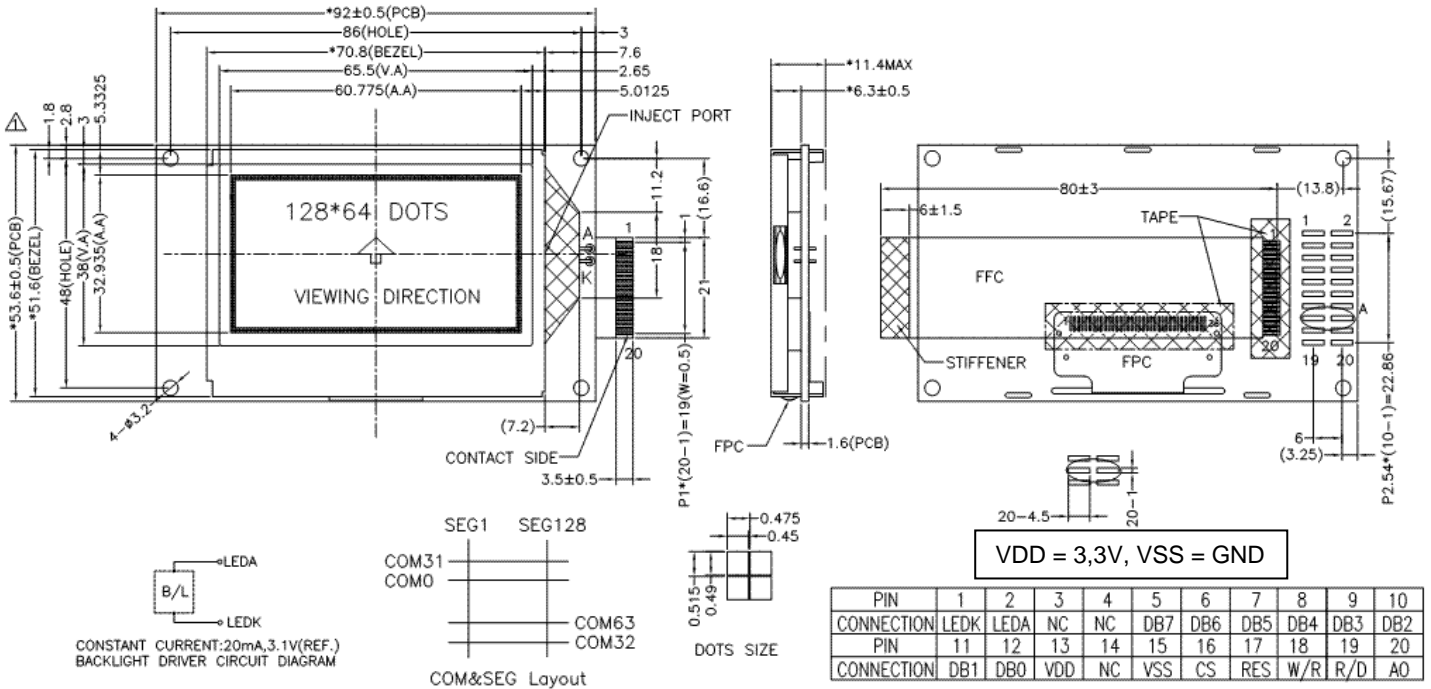


## ARTRONIC LCD ST7565R

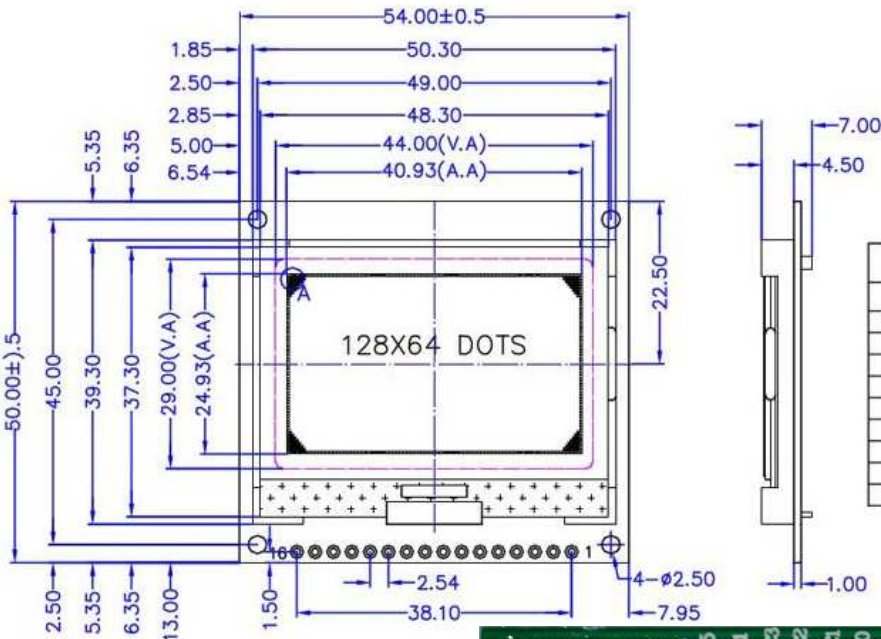


**Jumper configuration :**

- 80 = 8080 : open
- 68 = 6800 : closed
- S = Serial : open
- P = Parallel : closed
- ER = External Resistor : open
- IR = Internal Resistor : closed



## Zolen LCD ST7565P



VDD = 5V, VSS = GND

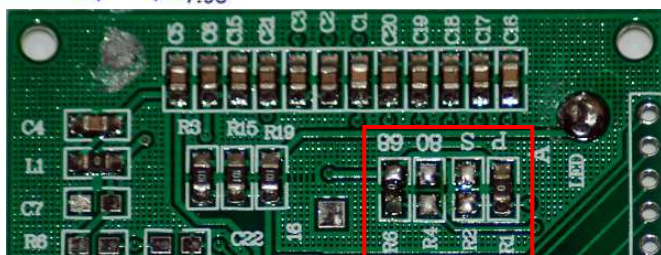
Use a 50-100 ohms resistor for direct connection of LCD backlight on M2560

**Pin Assignment**

NO.	SYMBOL	DESCRIPTION
1--8	DB0--DB7	DATA BUS
9	VDD	POWER SUPPLY FOR LOGIC AND LCD
10	VSS	GROUND
11	A	LED BACKLIGHT POWER SUPPLY(+)
12	/CS	CHIP SELECT
13	/RST	RESET SIGNAL(LOW EFFECTIVE)
14	D/I	DATA/INSTRUCTION SELECT
15	/WR	WRITE SIGNAL
16	/RD	READ SIGNAL

**Jumper configuration :**

- 80 = 8080 : open
- 68 = 6800 : closed
- S = Serial : open
- P = Parallel : closed



# KS108

